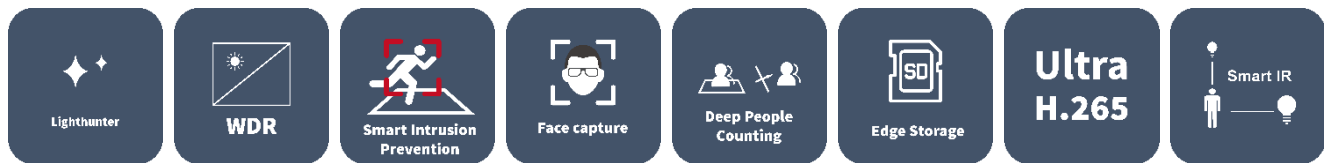


# 2MP WDR LightHunter IR Network Dome Camera

IPC3232SB-AHDZK-PI-IO



## Key Features



- High quality image with 2MP,1/2.8" CMOS sensor
- 1920\*1080@60fps in the main stream, deliver detailed live while 60fps keeping it smooth and closer to the real image
- Ultra 265, H.265, H.264, MJPEG
- Smart intrusion prevention, support false alarm filtering, include Cross Line, Intrusion, Enter Area, Leave Area detection
- Face capture, automatic selection of best snapshots, support face detection masked area
- People Counting, support people flow counting and crowd density monitoring, suitable for different statistical scenarios
- LightHunter product technology ensures ultra-high image quality in low illumination environment
- Support 9:16 Corridor Mode
- Up to 120 dB Optical WDR (Wide Dynamic Range)
- DC12V or PoE (IEEE 802.3af) power supply
- Wide voltage range of  $\pm 25\%$  in DC
- Audio 1 in and 1 out, Alarm 2 in and 1 out

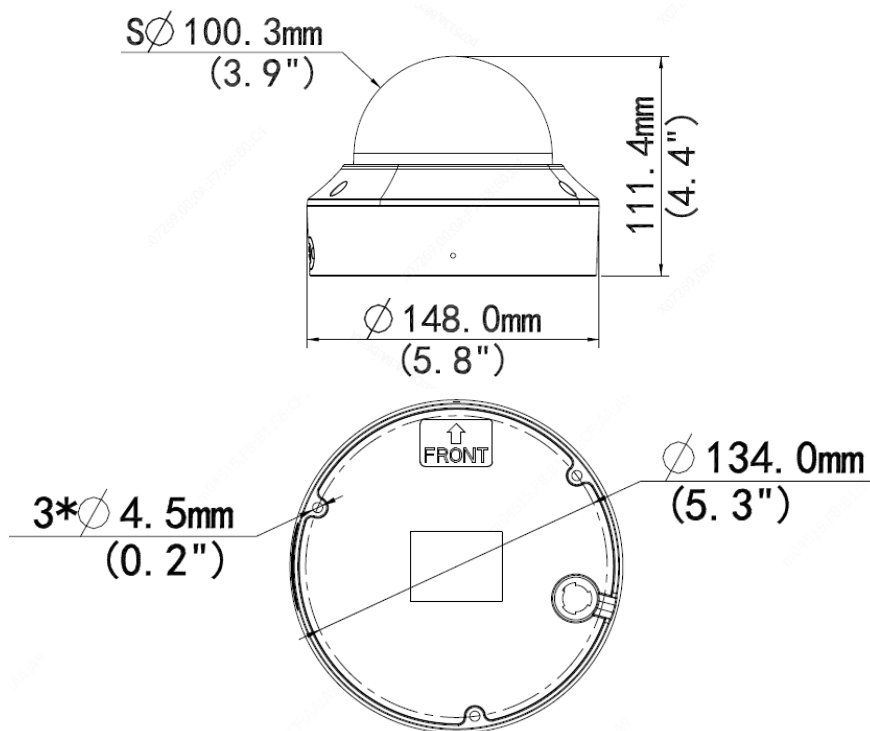
## Specifications

|                            |   |                |               |               |              |
|----------------------------|---|----------------|---------------|---------------|--------------|
| IPC3232SB-AHDZK-PI-IO      |   |                |               |               |              |
| <b>Camera</b>              |   |                |               |               |              |
| Sensor                     | 1/2.8", 2.0 megapixel, progressive scan, CMOS   |                |               |               |              |
| Min. Illumination          | Colour:0.001 lux (F1.4, AGC ON)<br>B/W:0.0005 lux (F1.4, AGC ON)<br>0 lux with IR   |                |               |               |              |
| Day/Night                  | IR-cut filter with auto switch (ICR)  |                |               |               |              |
| Shutter                    | Auto/Manual, 1 ~ 1/100000s  |                |               |               |              |
| Angle Adjustment           | Pan: 0° to 355°, tilt: 0° to 70°, rotate: 0° to 355°  |                |               |               |              |
| WDR                        | 120dB   |                |               |               |              |
| S/N                        | >52dB   |                |               |               |              |
| <b>Lens</b>                |   |                |               |               |              |
| Lens type                  | 2.8~12mm@F1.4, AF automatic focusing and motorized zoom lens  |                |               |               |              |
| Iris                       | P-iris  |                |               |               |              |
| <b>DORI</b>                |   |                |               |               |              |
| DORI Distance              | Lens (mm)   | Detect (m)     | Observe (m)   | Recognize (m) | Identify (m) |
|                            | 2.8   | 43.4(142.5ft)  | 17.4(57.0ft)  | 8.7(28.5ft)   | 4.3(14.3ft)  |
|                            | 12  | 186.2(610.9ft) | 74.5(244.4ft) | 37.2(122.2ft) | 18.6(61.1ft) |
| <b>Illuminator</b>         |   |                |               |               |              |
| IR Range                   | Up to 40m (131 ft) IR range   |                |               |               |              |
| Wavelength                 | 850nm   |                |               |               |              |
| IR On/Off Control          | Auto/Manual   |                |               |               |              |
| <b>Video</b>               |   |                |               |               |              |
| Video Compression          | Ultra 265, H.265, H.264, MJPEG  |                |               |               |              |
| Frame Rate                 | Main Stream: 1080P (1920*1080),Max 60fps;<br>Sub Stream: 1080P (1920*1080), Max 60fps;<br>Third Stream: D1 (720*576), Max 60fps |                |               |               |              |
| Video Bit Rate             | 128 Kbps~16 Mbps  |                |               |               |              |
| ROI                        | Up to 8 areas   |                |               |               |              |
| Video stream               | Triple streams  |                |               |               |              |
| Streaming Method           | Unicast, Multicast  |                |               |               |              |
| OSD                        | Up to 8 OSDs  |                |               |               |              |
| Privacy Mask               | Up to 4 areas per scene   |                |               |               |              |
| <b>Image</b>               |   |                |               |               |              |
| White Balance              | Auto/Outdoor/Fine Tune/Sodium Lamp/Locked/Auto2   |                |               |               |              |
| Digital noise reduction    | 2D/3D DNR   |                |               |               |              |
| Smart IR                   | Support   |                |               |               |              |
| Flip                       | Normal/Flip Vertical/Flip Horizontal/180°/90°Clockwise/90°Anti-clockwise  |                |               |               |              |
| HLC                        | Support   |                |               |               |              |
| BLC                        | Support   |                |               |               |              |
| Defog                      | Digital Defog   |                |               |               |              |
| <b>Intelligent</b>         |   |                |               |               |              |
| Smart intrusion prevention | Support false alarm filtering: Cross Line detection, Intrusion detection, Enter Area detection, Leave Area detection            |                |               |               |              |

|                        |   |
|------------------------|---|
| Recognition            | Face capture<br>Face attributes: Gender, Age range, Glasses, Mask   |
| Statistical Analysis   | People counting, support people flow counting and crowd density monitoring, object left/object remove   |
| <b>Events</b>          |   |
| Basic Detection        | Motion detection, Audio detection, Tampering alarm  |
| General Function       | Watermark, IP Address Filtering, Alarm input, Alarm output, Access Policy, ARP Protection, RTSP Authentication, User Authentication   |
| <b>Audio</b>           |   |
| Audio Compression      | G.711U, G.711A  |
| Audio Bitrate          | 64 Kbps, 128kbps  |
| Two-way Audio          | Support   |
| Suppression            | Support   |
| Sampling Rate          | 8KHz, 16KHz   |
| <b>Storage</b>         |   |
| Edge Storage           | Micro SD, up to 256 GB  |
| Network Storage        | ANR, NAS(NFS)   |
| <b>Network</b>         |   |
| Protocols              | IPv4, IPv6, IGMP, ICMP, ARP, TCP, UDP, DHCP, PPPoE, RTP, RTSP, RTCP, DNS, DDNS, NTP, FTP, UPnP, HTTP, HTTPS, SMTP, IEEE802.1x, SNMP, QoS, RTMP, SSL/TLS                             |
| Compatible Integration | ONVIF (Profile S, Profile G, Profile T), API, SDK   |
| User/Host              | Up to 32 users. 3 user levels: administrator, operator and common user  |
| Security               | Password protection, strong password, HTTPS encryption, basic and digest authentication for RTSP, digest authentication for HTTP, TLS 1.2, WSSE and digest authentication for ONVIF |
| Client                 | EZStation<br>EZLive<br>EZview   |
| Web Browser            | Plug-in required live view: IE 10 and above, Chrome 45 and above, Firefox 52 and above, Edge 79 and above   |
| <b>Interface</b>       |   |
| Audio I/O              | 1/1   |
| Alarm I/O              | 2/1   |
| Serial Port            | 1 RS485   |
| Built-in Mic           | Support   |
| Video output           | 1 BNC(For debugging)  |
| Network                | 1 * RJ45 10M/100M Base-TX Ethernet  |
| <b>Certification</b>   |   |
| EMC                    | CE-EMC (EN 55032: 2015+A1:2020, EN 61000-3-3: 2013+A1: 2019, EN IEC 61000-3-2: 2019+A1: 2021, EN 55035: 2017+A11:2020)<br>FCC (FCC CFR 47 part15 B, ANSI C63.4-2014)                |
| Safety                 | CE LVD (EN 62368-1:2014+A11:2017)<br>CB (IEC 62368-1:2014)<br>UL (UL 62368-1, 2nd Ed., Issue Date: 2014-12-01)  |
| Environment            | CE-RoHS (2011/65/EU;(EU)2015/863); WEEE (2012/19/EU); Reach (Regulation (EC) No 1907/2006)  |
| Protection             | IP67 (IEC 60529:1989+AMD1:1999+AMD2:2013)<br>IK10 (IEC 62262:2002)  |
| <b>General</b>         |   |
| Power                  | DC12V(±25%), PoE(IEEE 802.3af)  |
|                        | Power consumption: Max 8W   |
| Power Interface        | Ø 5.5mm coaxial power plug  |
| Dimensions (Ø x H)     | Ø148.0 x 111.4mm (Ø5.8" x 4.4")   |

|                     |  |
|---------------------|--|
| Weight              | 0.92kg(2.03lb)   |
| Working Environment | -30°C ~ 60°C (-22°F ~ 140°F), Humidity: ≤95% RH (non-condensing) |
| Storage Environment | -40°C ~ 70°C (-40°F ~ 158°F), Humidity: ≤95% RH (non-condensing) |
| Surge protection    | 6KV  |
| Reset button        | Support  |

## Dimensions

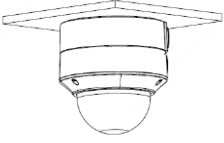
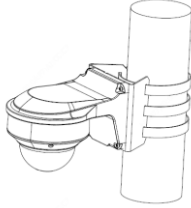
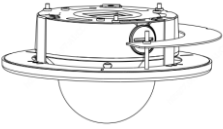
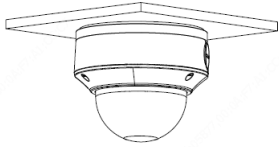
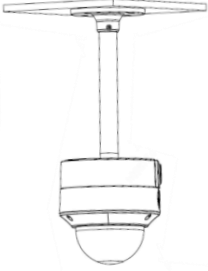


## Accessories



Pendant Mount



|   |  |
|---|--|
| Junction Mount  | Wall mount   |
| TR-JB04-C-IN+ TR-A01-IN   | TR-JB07/WM04-B-IN,TR-WM04-IN+TR-UP06-IN  |
|    |   |
| In-ceiling Mount  | Electric-box Transfer plate  |
| TR-FM152-A-IN   | TR-SM04-IN   |
|   |  |
| Indoor pendant mount  |  |
| TR-JB04-C-IN + TR-SE24-IN/TR-SE24-A-IN + TR-CM24-IN                                 |  |
|  |  |

**Zhejiang Uniview Technologies Co., Ltd.**

Building No.10, Wanlun Science Park, Jiangling Road 88, Binjiang District, Hangzhou, Zhejiang, China (310051)

Email: overseasbusiness@uniview.com; globalsupport@uniview.com

<http://www.uniview.com>

©2023 Zhejiang Uniview Technologies Co., Ltd. All rights reserved.

\*Product specifications and availability are subject to change without notice